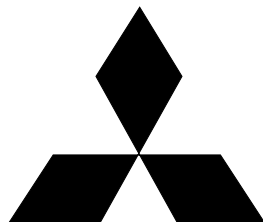
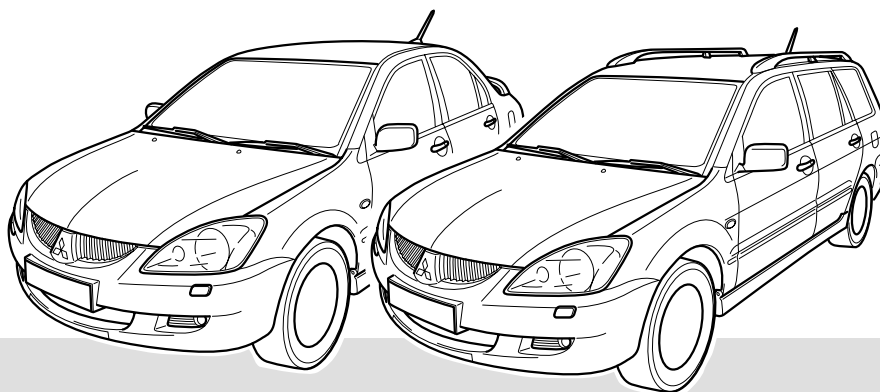


PRELIMINARY REV. 02



**MITSUBISHI
MOTORS**



LANCER MME31506

MANUALE D'INSTALLAZIONE
FITTING INSTRUCTIONS
MANUAL DE INSTALACION
EINBAUANLEITUNG
MANUAL DE INSTALAÇÃO
HANDLEIDING VOOR INSTALLATIE
MANUAL DEL USUARIO
ИНСТРУКЦИЯ ПО МОНТАЖ



PRELIMINARY REV. 02

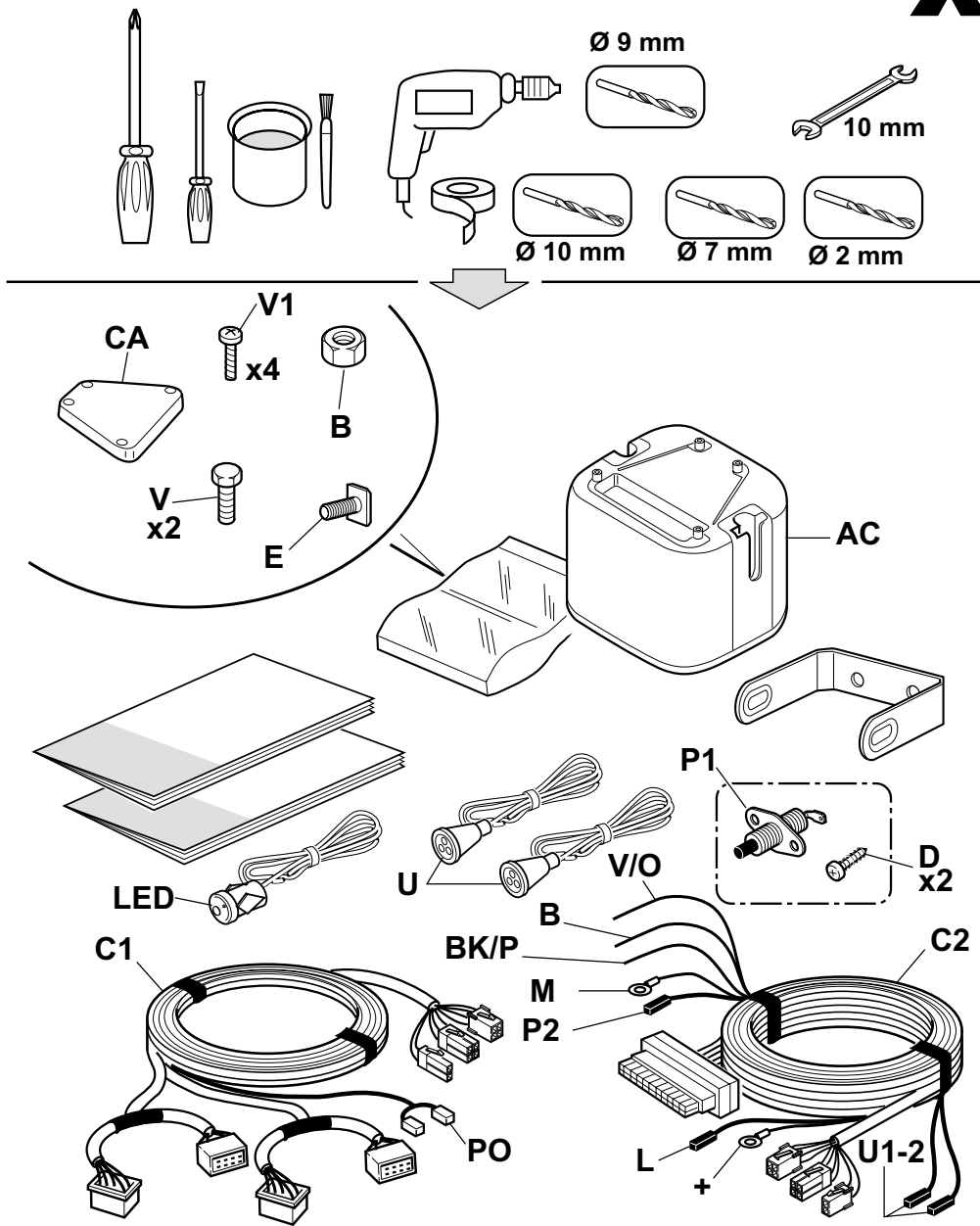
MME31506 - 2 - LANCER - A

06DE2160A-LANCER.p65

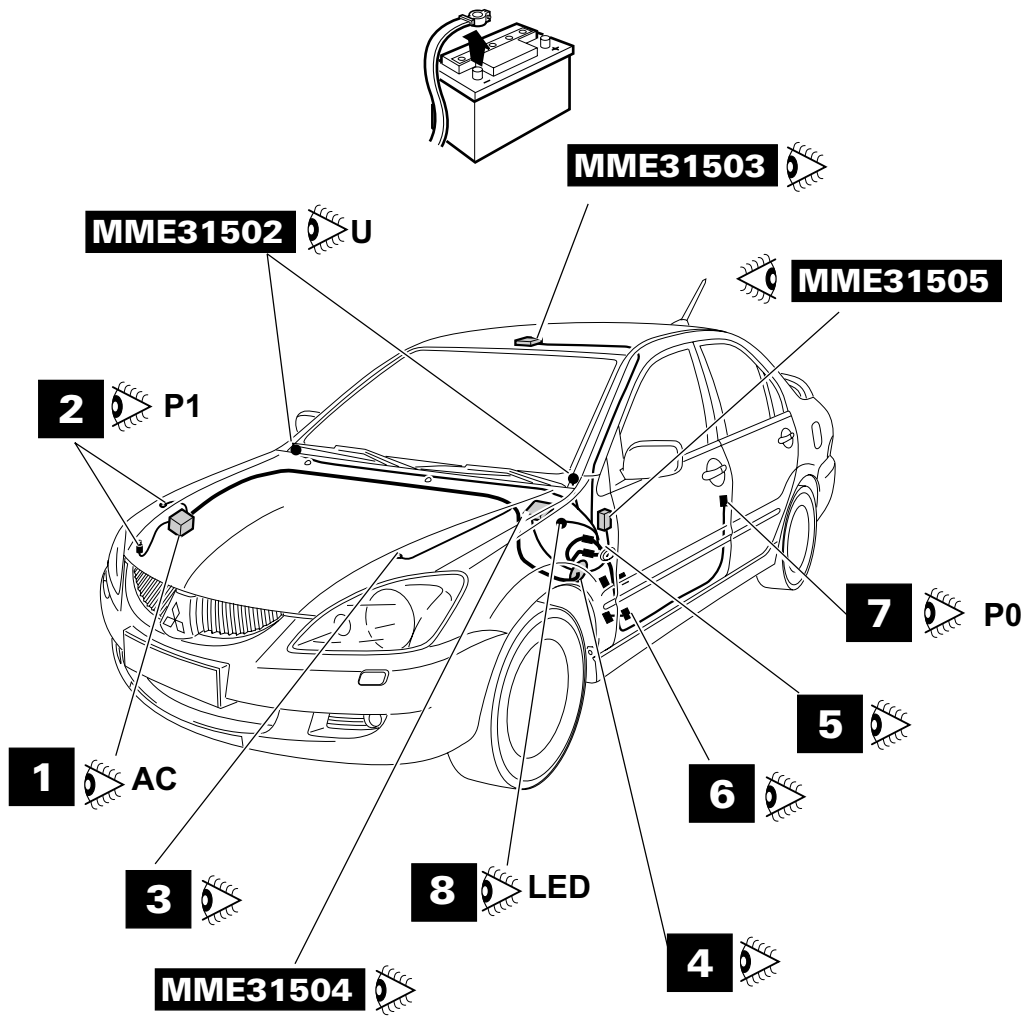
2

14-10-2005, 15:16

PRELIMINARY REV. 02

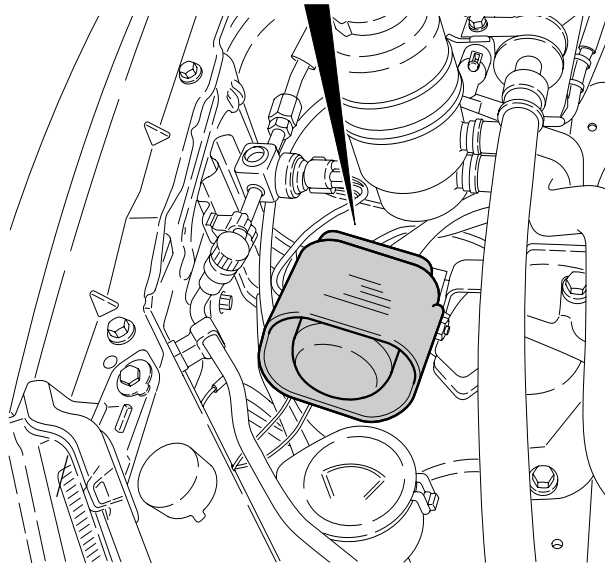
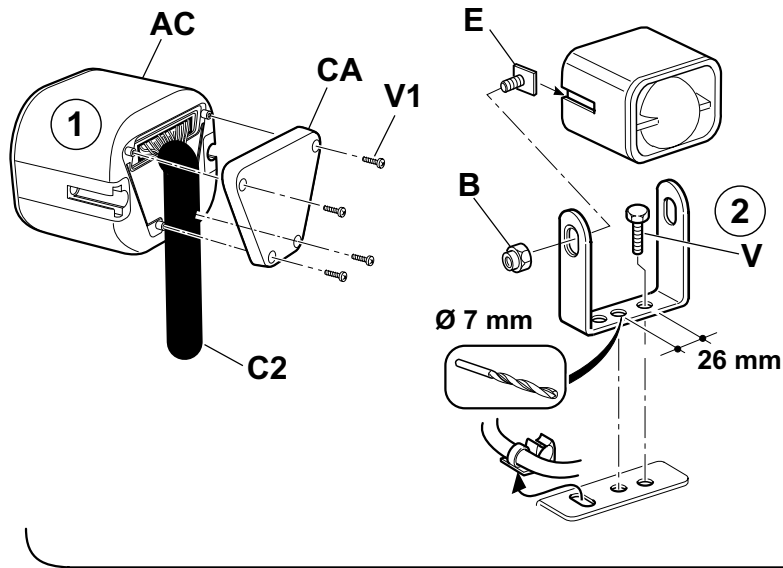


MME31506 - 3 - LANCER - A



MME31506 - 4 - LANCER - A

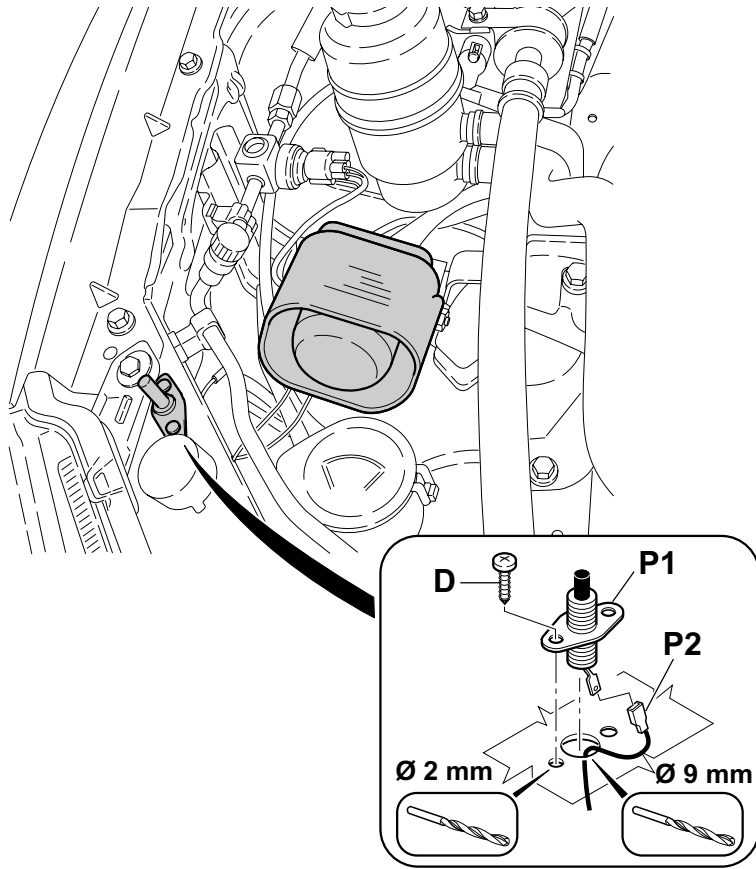
PRELIMINARY REV. 02

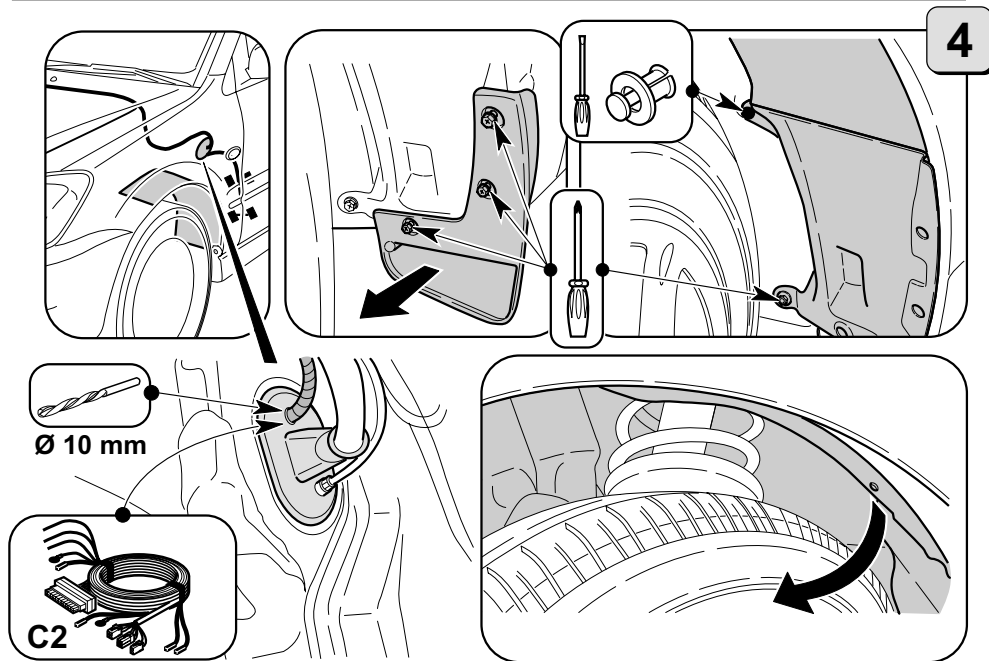
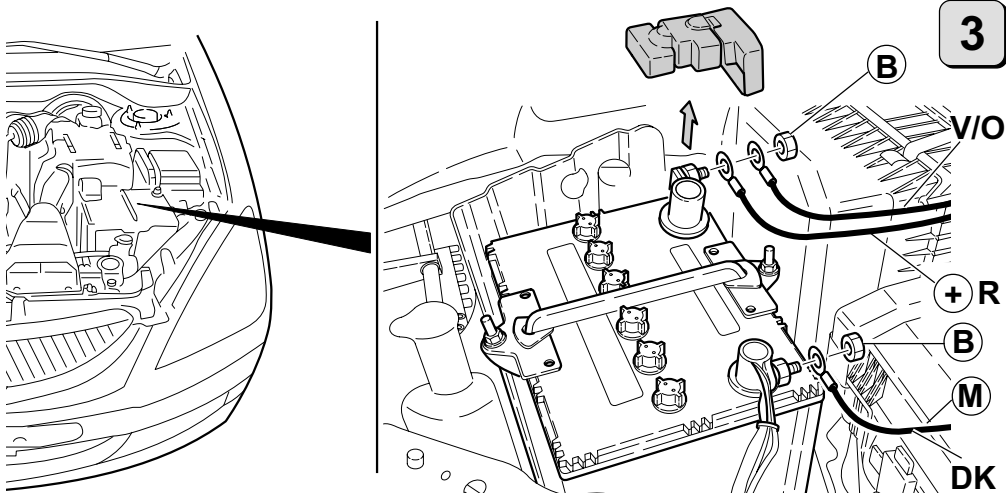


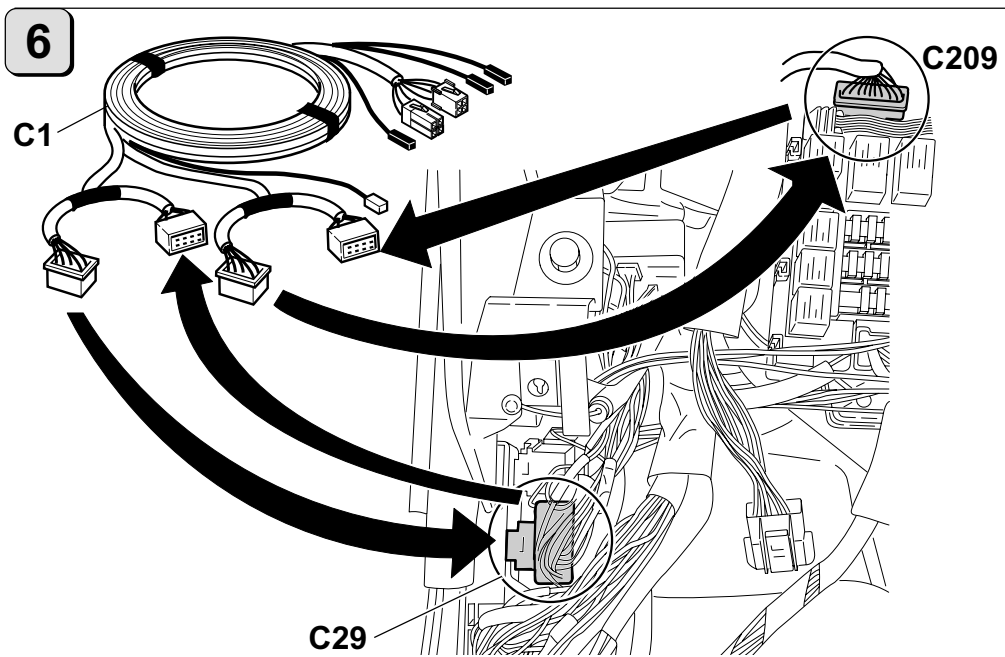
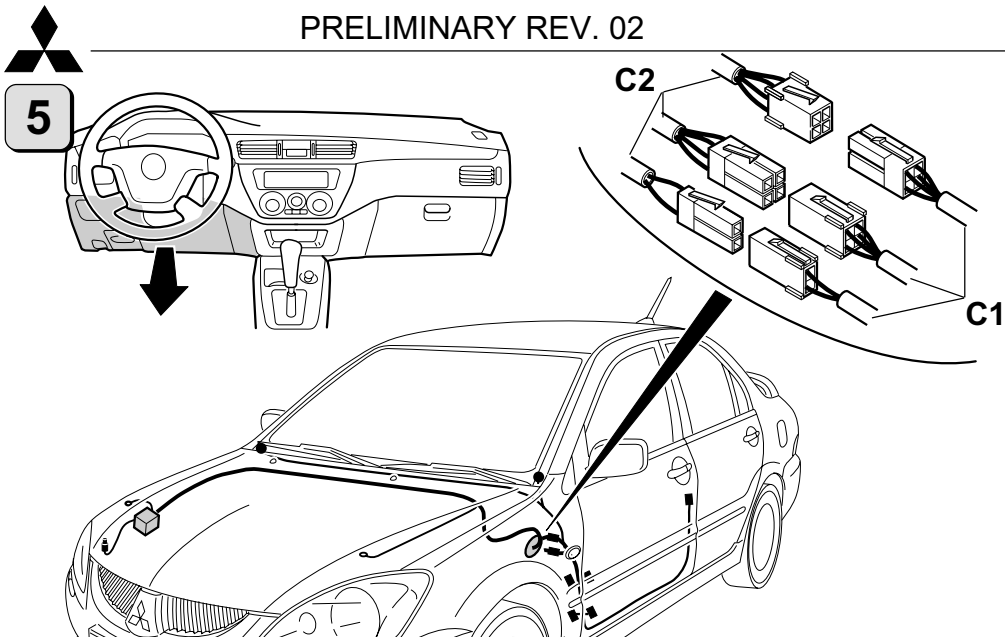
MME31506 - 5 - LANCER - A



2

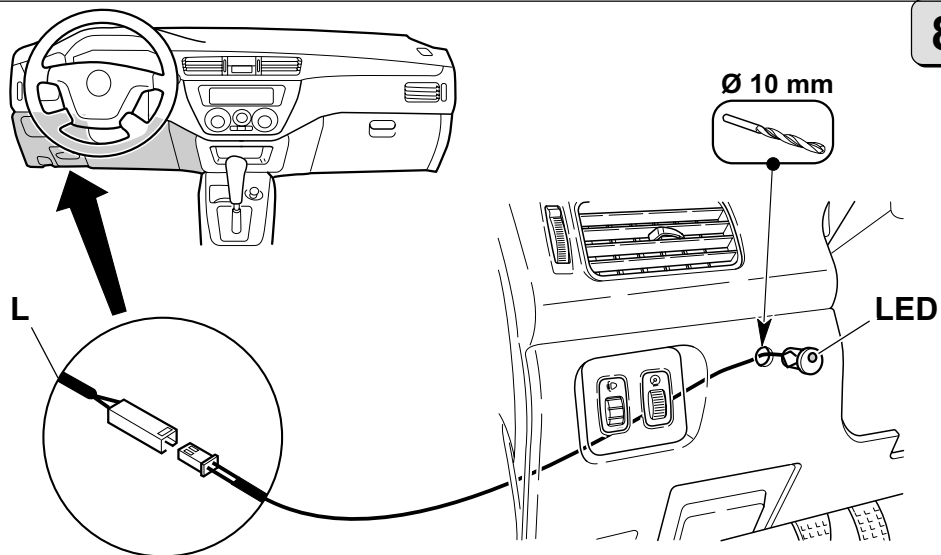
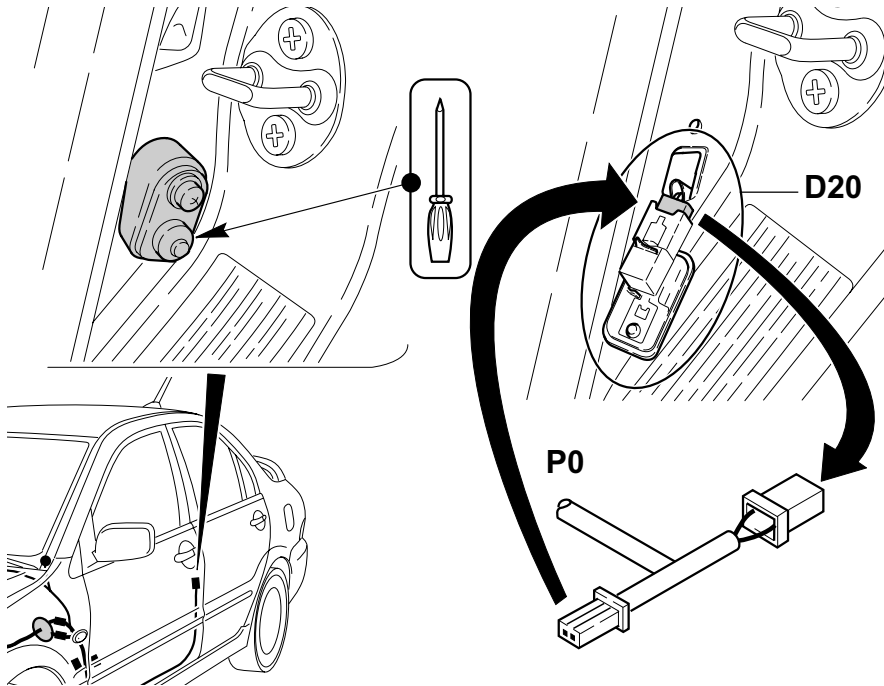






MME31506 - 8 - LANCER - A

PRELIMINARY REV. 02



MME31506 - 9 - LANCER - A



PRELIMINARY REV. 02

MME31506 - 10 - LANCER - A

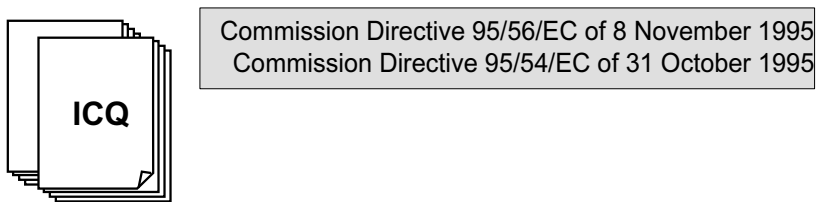
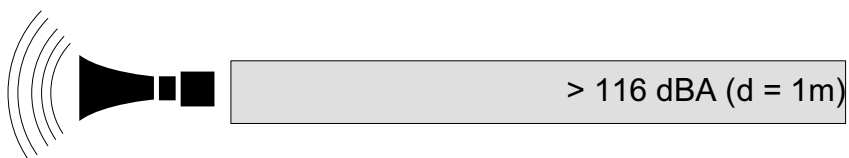
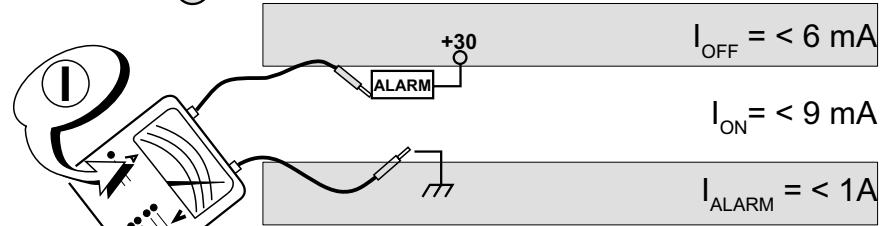
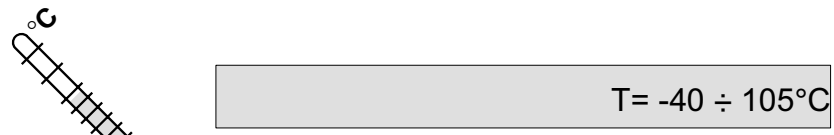
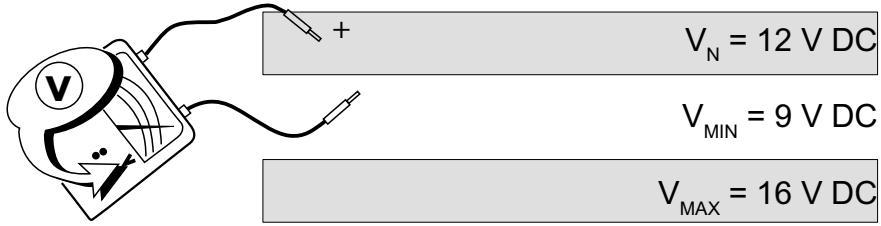
06DE2160A-LANCER.p65

10

14-10-2005, 15:16



10

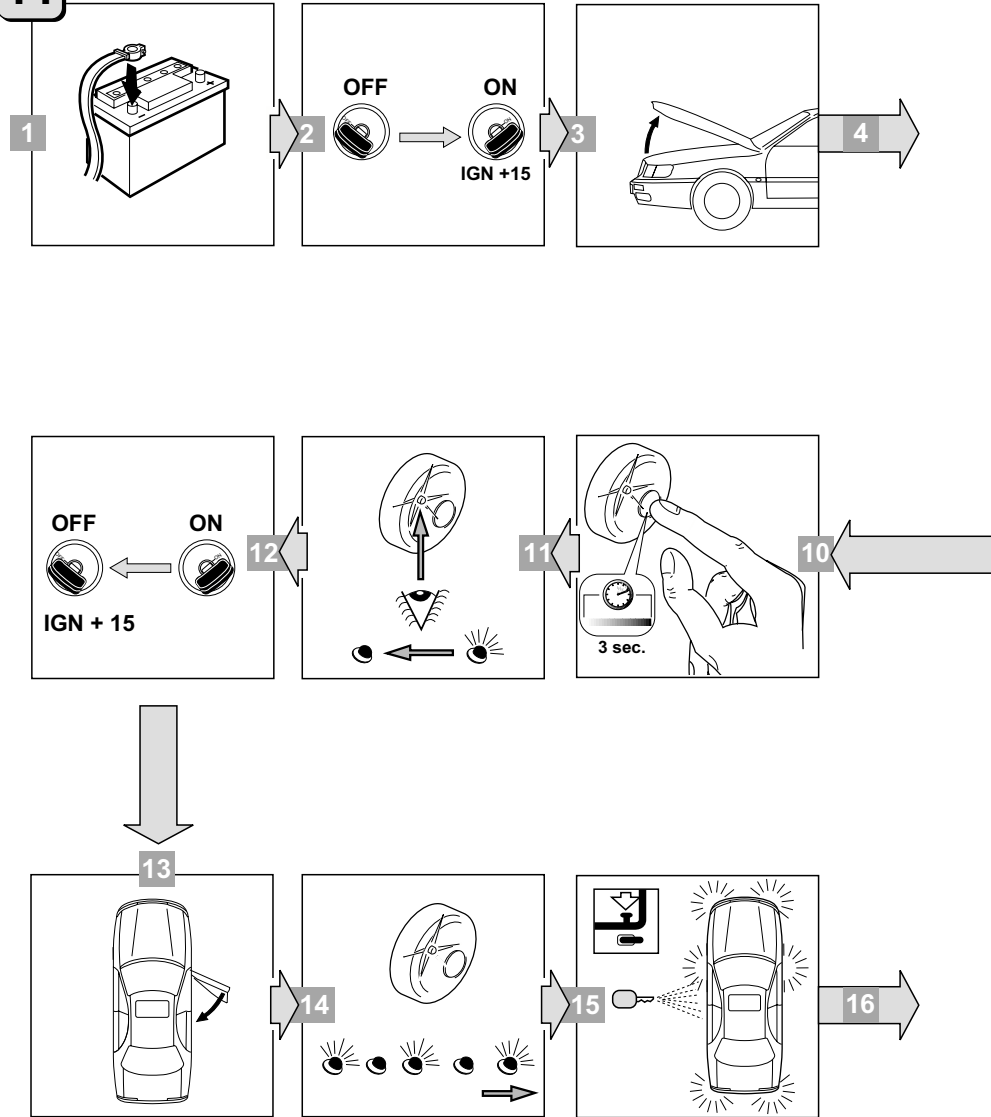




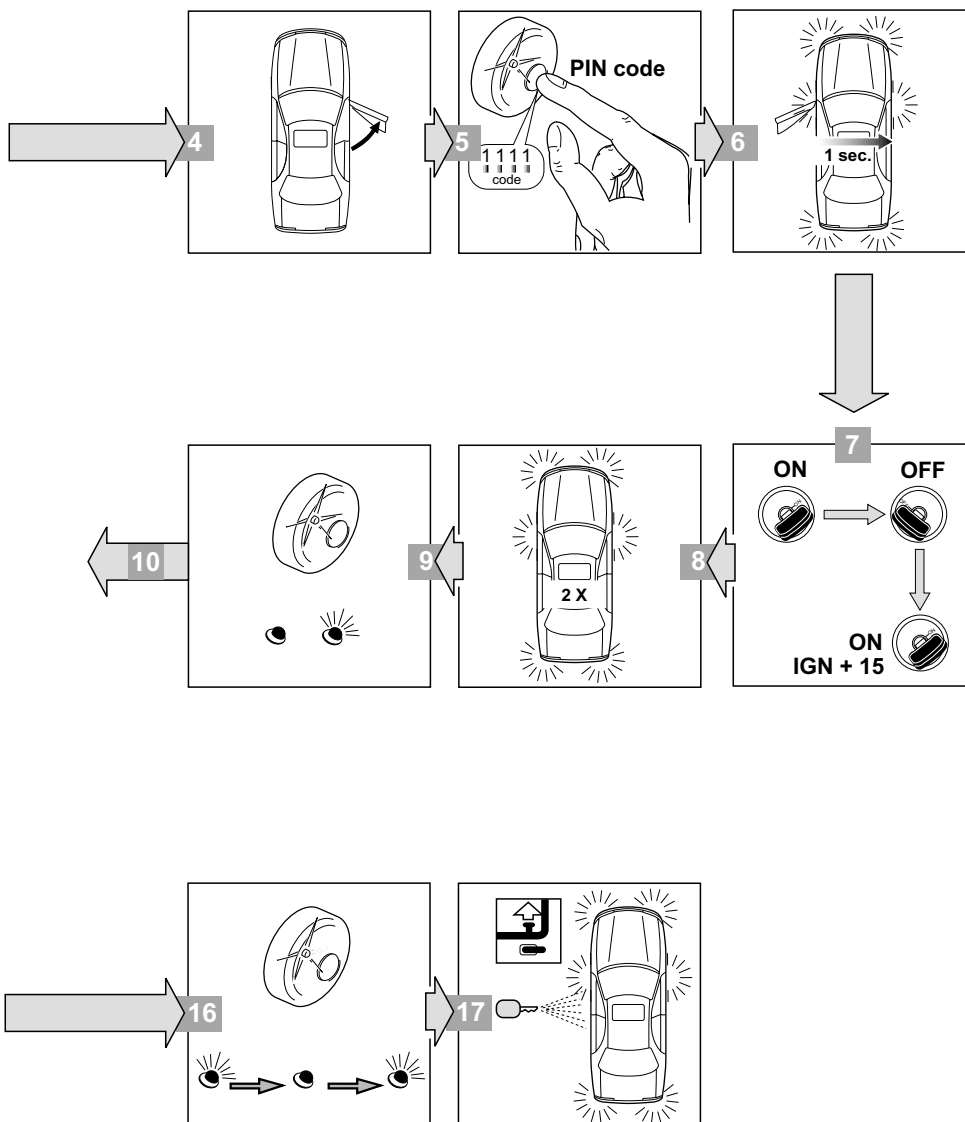
PRELIMINARY REV. 02

ARM/DISARM CONTROL SIGNALS SELF-LEARNING PROCEDURE (ONLY FOR MME31500)

11



MME31506 - 12 - LANCER - A





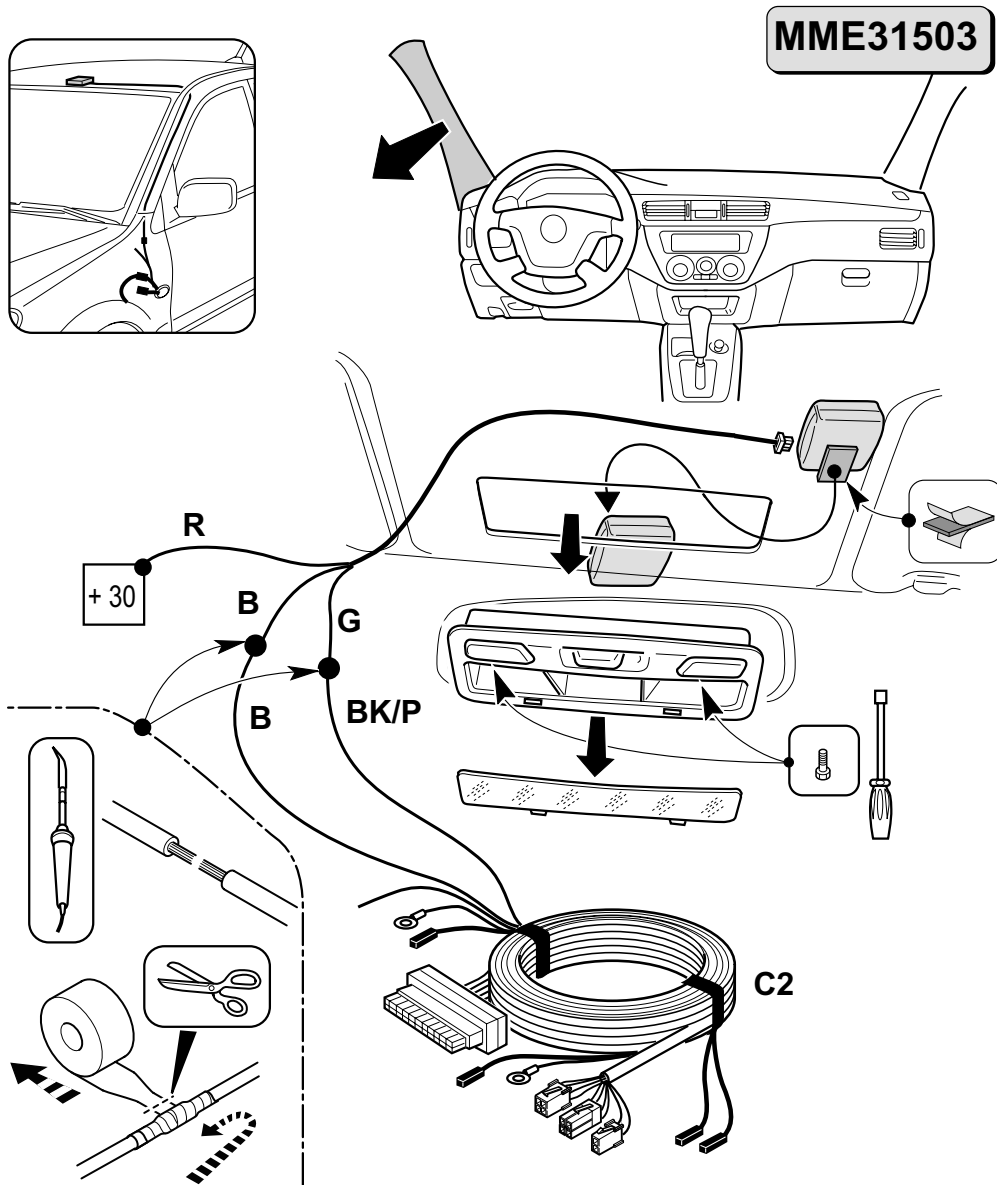
PRELIMINARY REV. 02

**OPZIONALE - OPTIONAL - OPTIONNEL - OPTIONAL - OPCIONAL -
OPTIONEEL - OPCIONAL**

ПО ДОПОЛНИТЕЛЬНОМУ ЗАКАЗУ

	(I)	(GB)	(F)	(D)
BK	Nero	Black	Noir	Schwarz
B	Marrone	Brown	Marron	Braun
BK/P	Nero/rosa	Black/pink	Noir/rose	Schwarz/rosa
G	Grigio	Grey	Gris	Grau
R	Rosso	Red	Rouge	Rot
GR	Verde	Green	Vert	Grün
V/O	Viola/arancio	Violet/orange	Violet/orange	Violett/orange

	(P)	(NL)	(E)	(RUS)
BK	Preto	Zwart	Negro	ЧЕРНЫЙ
B	Castanho	Bruin	Marron	КОРИЧНЕВЫЙ
BK/P	Preto/rosa	Zwart/roze	Negro/rosa	ЧЕРНЫЙ/РОЗОВЫЙ
G	Cinzento	Grijs	Gris	СЕРЫЙ
R	Vermelho	Rood	Rojo	КРАСНЫЙ
GR	Verde	Groen	Verde	ЗЕЛЕНЫЙ
V/O	Violeta/laranja	Paars/oranje	Violeta/anaranjado	ФИОЛЕТОВЫЙ/ ОРАНЖЕВЫЙ

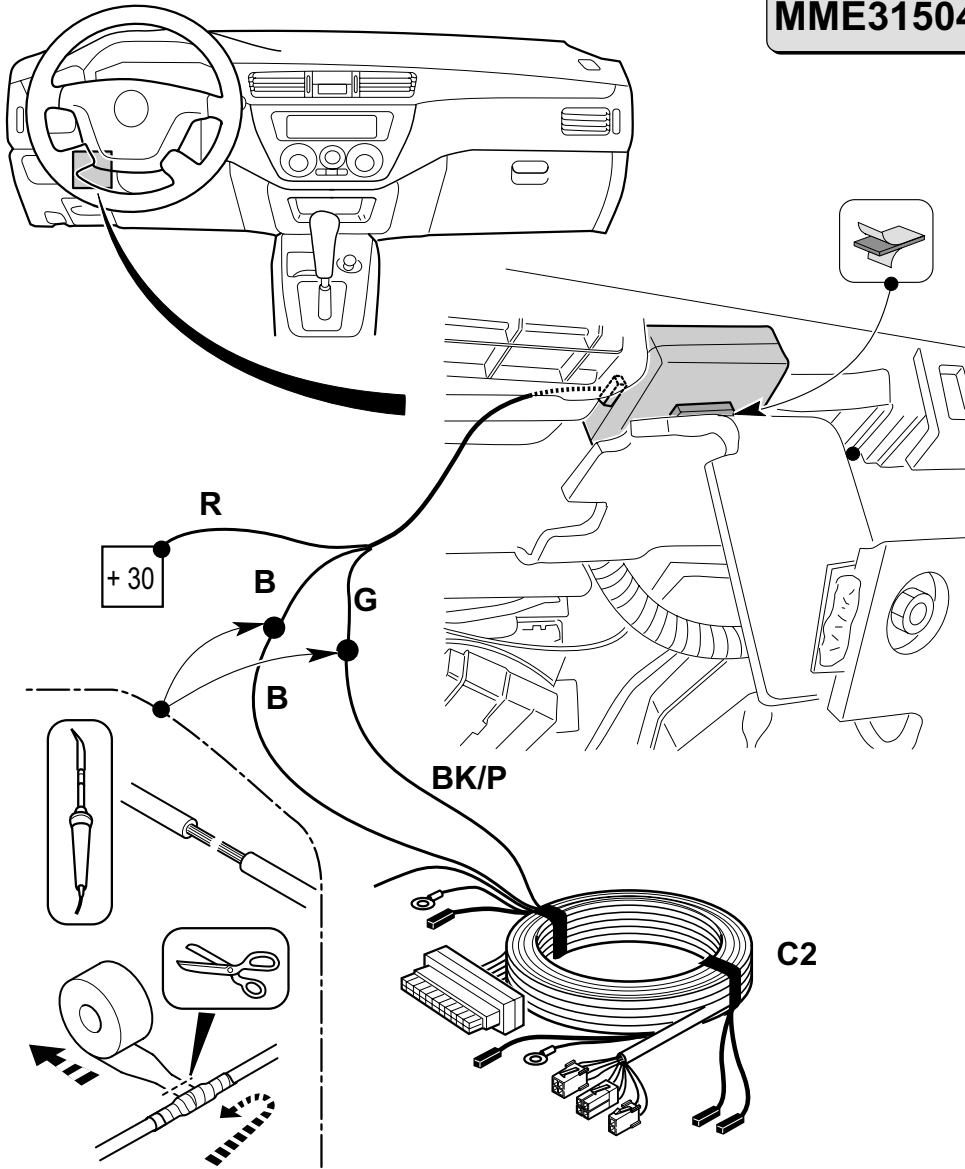


MME31506 - 15 - LANCER - A



PRELIMINARY REV. 02

MME31504

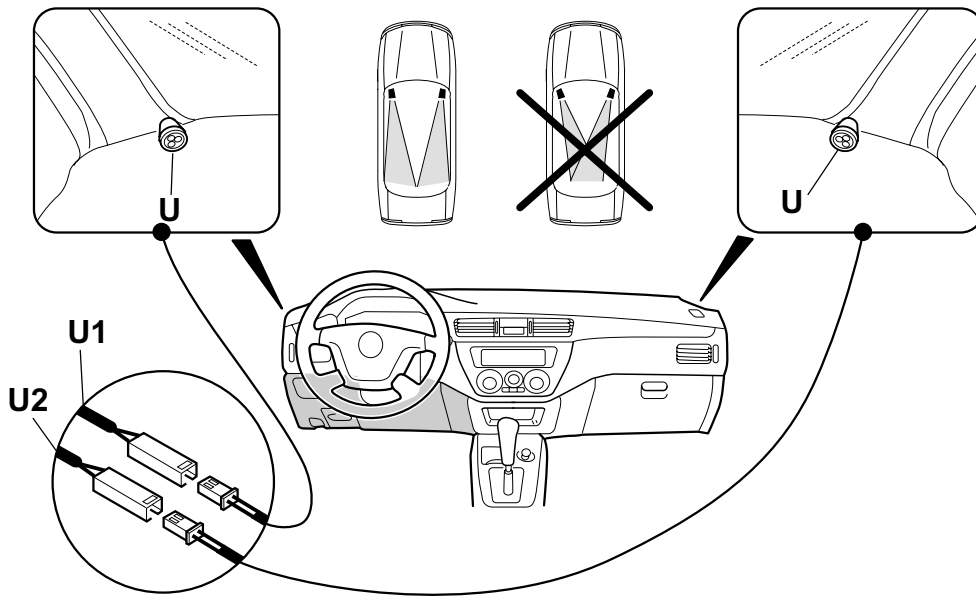


MME31506 - 16 - LANCER - A



PRELIMINARY REV. 02

MME31502



MME31506 - 18 - LANCER - A

PRELIMINARY REV. 02



MME31506 - 19 - LANCER - A

PRELIMINARY REV. 02



Printed in Italy
Cod. 06DE2160A date 10/2005